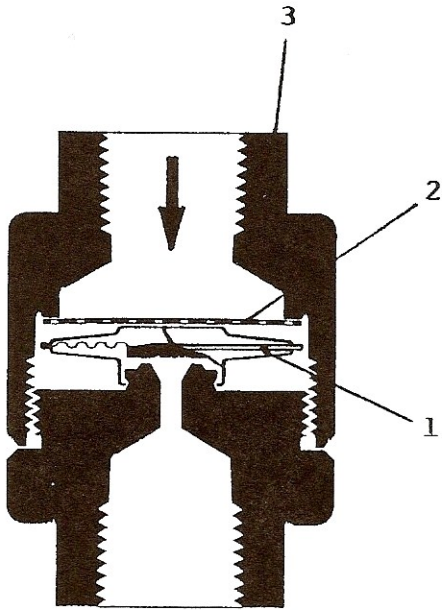


TYPE DMT 42



Spare Parts		
Item No.	Description	Material
1	Membrane Regulator "S"	Stainless Steel & Hastelloy
2	Strainer	Stainless Steel
3	Body	A182F304

Options: LC = Low capacity orifice

Weight: ca. 1 lb

Maintenance Information:

Torque for tightening of body parts
at room temperature = 115 Nm



DOMNIK CANADA INC.

561 Edward Avenue, Unit 5, Richmond Hill, Ontario, Canada
L4C 9W6 Tel: (905) 508-9653 Fax: (905) 508-0138
Email: domnik@domnikcanada.com
www.domnikcanada.com