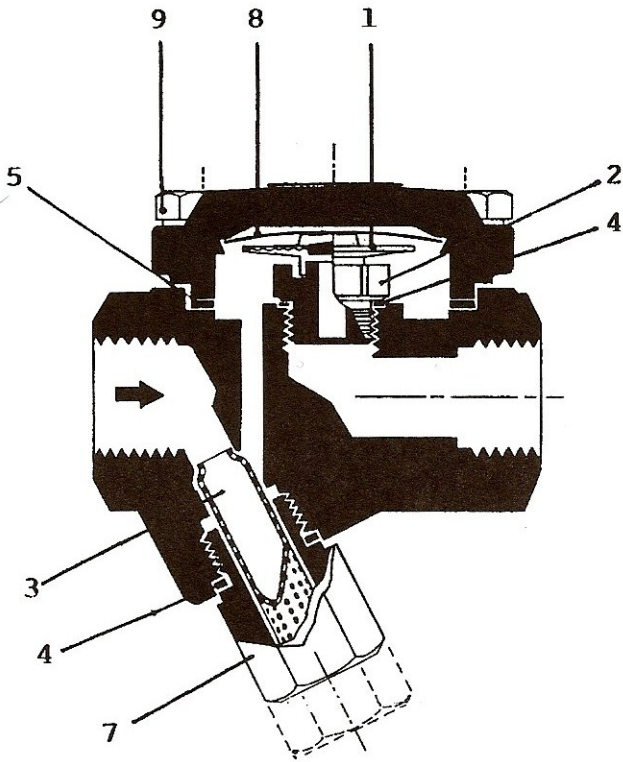


TYPE DMT 12 / Y



| Spare Parts | | |
|-------------|------------------------------------|-----------------------------|
| Item No. | Description | Material |
| 1 | Membrane Regulator "S" | Stainless Steel & Hastelloy |
| 2 | Nozzle Seat | Stainless Steel |
| 3 | Strainer | Stainless Steel |
| 4 | Nozzle & Strainer Cap Washer | Stainless Steel |
| 5 | Cover Gasket | Grafoil |
| 6 | Strainer Blow-off Valve (optional) | Stainless Steel |
| 7 | Strainer Cap Screw | C-Steel |
| 8 | Retainer | Stainless Steel |
| 9 | Cover Bolts | ASTM 193-B7 |
| 10/11 | Body & Cover | A 105 |

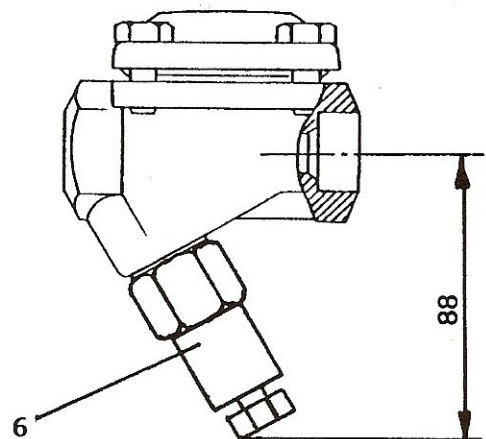
Weight: 2.2 kgs (4.9 lbs) for NPT Connection

Options: Strainer Blow-off Valve
LC = Low capacity orifice

Maintenance Information:

Torque for tightening of parts at room temperature:

- Part #2 Nozzle Seat = 85 Nm
- Part #6 Strainer Blow-off Valve = 85 Nm
- Part #7 Strainer Cap Screw = 85 Nm
- Part #9 Cover Bolts = 35 Nm



DOMNIK CANADA INC.

561 Edward Avenue, Unit 5, Richmond Hill, Ontario, Canada
L4C 9W6 Tel: (905) 508-9653 Fax: (905) 508-0138
Email: domnik@domnikcanada.com
www.domnikcanada.com