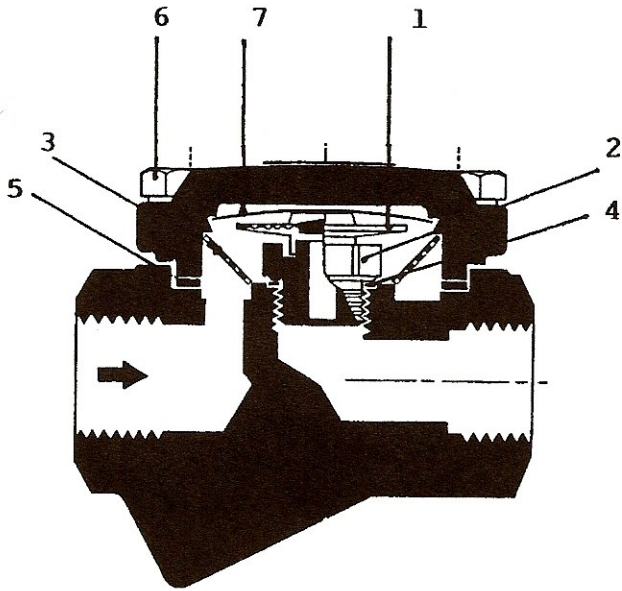


TYPE DMT 12 / N



Spare Parts		
Item No.	Description	Material
1	Membrane Regulator "S"	Stainless Steel & Hastelloy
2	Nozzle Seat	Stainless Steel
3	Strainer	Stainless Steel
4	Nozzle Washer	Stainless Steel
5	Cover Gasket	Grafoil
6	Cover Bolts	ASTM 193-B7
7	Retainer	Stainless Steel

Weight: 2 kgs (for NPT connection)

Options: LC = Low capacity orifice

Maintenance Information:

Torque for tightening of parts
at room temperature:

- Part #2 Nozzle Seat = 85 Nm
- Part #6 Cover Bolts = 35 Nm



DOMNIK CANADA INC.

561 Edward Avenue, Unit 5, Richmond Hill, Ontario, Canada
L4C 9W6 Tel: (905) 508-9653 Fax: (905) 508-0138
Email: domnik@domnikcanada.com
www.domnikcanada.com