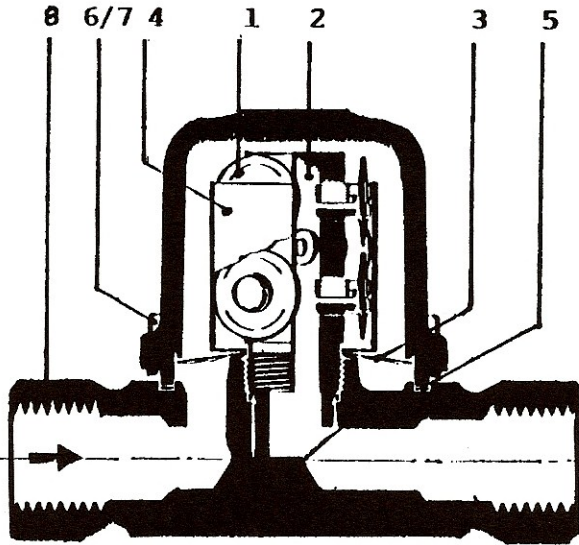
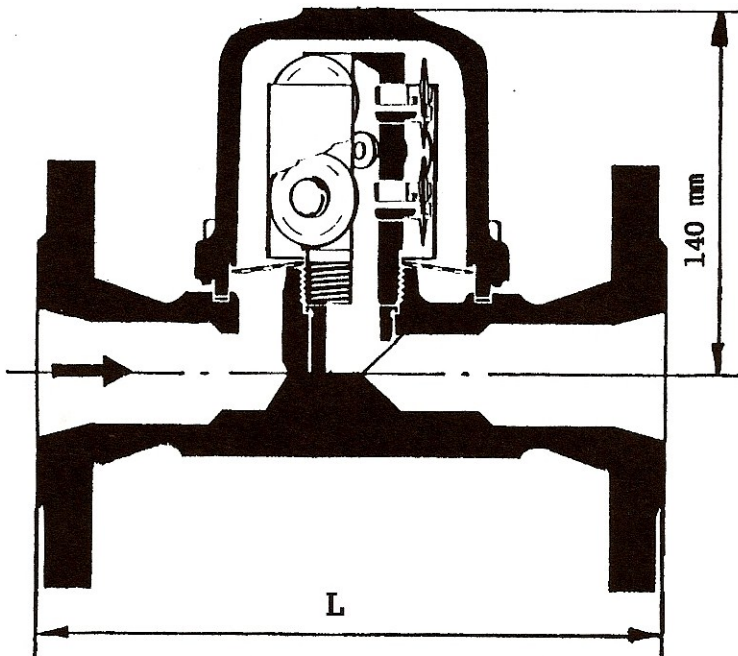


TYPE DMT 12 / 9



| Spare Parts | | |
|-------------|--------------------------|-----------------------------|
| Item No. | Description | Material |
| 1 | Membrane Regulator "H" | Stainless Steel & Hastelloy |
| 2 | Nozzle Seat | Stainless Steel |
| 3 | Strainer | Stainless Steel |
| 4 | Membrane Holder | Stainless Steel |
| 5 | Cover Gasket | Grafoil |
| 6 | Cover Bolts | A 193-B7 |
| 7 | Hex Nuts for Cover Bolts | A194-2H |
| 8 | Body | A 105 |
| 9 | Bonnet | A 216 WCB |
| - | Other internal parts | Stainless Steel |

Options: Membrane Regulator "S" = 8°C



Maintenance Information:

Torque for tightening of parts at room temperature:

- Part #2 Nozzle Seat = 140 Nm
- Part #6/7 Cover Bolts & Nuts = 50 Nm

Dimensions & Weight

| Size | NPT | | ANSI Flanges | |
|----------------|--------|--------|--------------|--------|
| | 1 1/2" | 2" | 1 1/2" | 2" |
| L | 130 mm | 210 mm | 230 mm | 230 mm |
| Approx. Weight | 8 kg. | 9 kg | 11 kg | 13 kg |

1 kg = 2.22 lbs 1" = 25.4 mm



DOMNIK CANADA INC.

561 Edward Avenue, Unit 5, Richmond Hill, Ontario, Canada
 L4C 9W6 Tel: (905) 508-9653 Fax: (905) 508-0138
 Email: domnik@domnikcanada.com
 www.domnikcanada.com